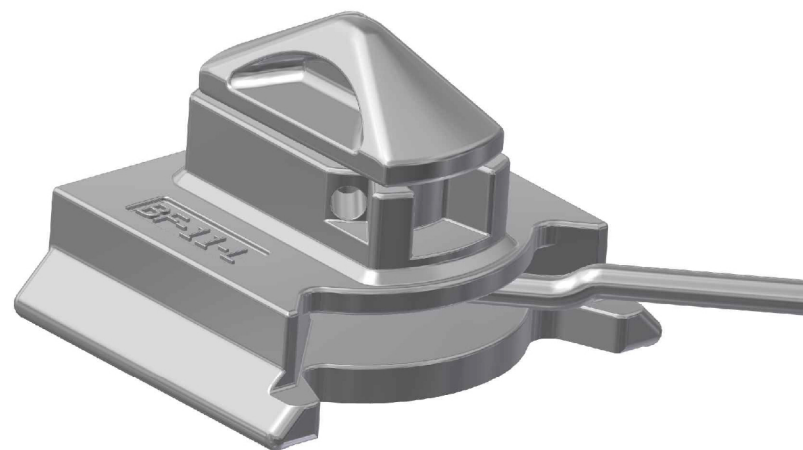
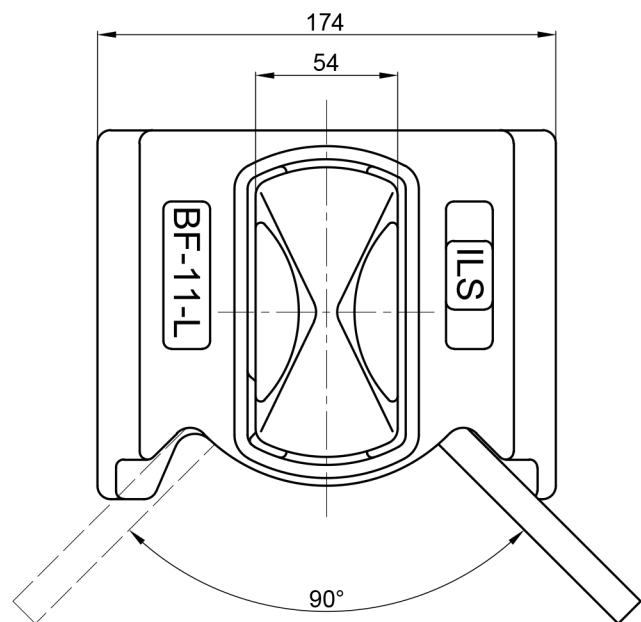


LOADS		SHEAR[kN]	TENS[kN]
BREAKING LOAD	BL	420	500
PROOF LOAD	PL	263	313
SAFE WORKING LOAD	SWL	210	250

TOTAL WEIGHT: 6,1 kg



LONGITUDINAL SLIDING DOVETAIL TWISTLOCK | BF-11-L

NAVACQS SEAL SUPPLIERS GMBH

Friedrichstraße 191
10117 Berlin
Deutschland



030-843 121 43
info@navacqs.de
www.navacqs.de