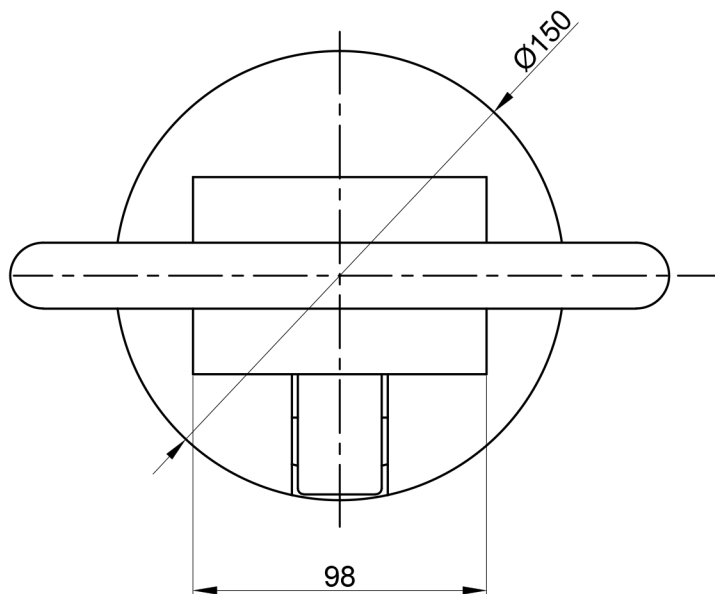


LOADS		TENSION[kN]
BREAKING LOAD	BL	400
PROOF LOAD	PL	250
SAFE WORKING LOAD	SWL	200

TOTAL WEIGHT: 8,3 kg



BREECH BASE D-RING (40T)

LP-21

NAVACQS SEAL SUPPLIERS GMBH

Friedrichstraße 191
10117 Berlin
Deutschland



030-843 121 43
info@navacqs.de
www.navacqs.de