

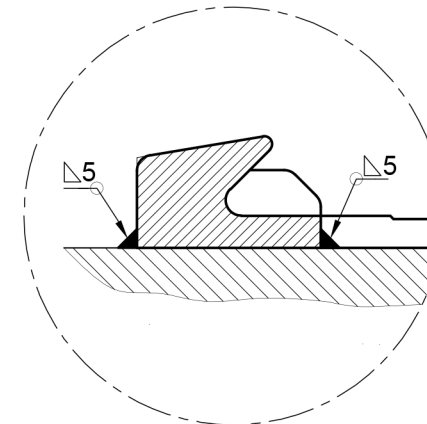
LOADS		TENSION [kN]	SHEAR [kN]
BREAKING LOAD	BL	500	420
PROOF LOAD	PL	313	263
SAFE WORKING LOAD	SWL	250	210

TOTAL WEIGHT: 3,7 kg

DET. A

TYPICAL WELDING:

WELDING TO GO COMPLETELY AROUND



DECK OR HATCH COVER

SINGLE DOVETAIL SOCKET 45°

DF-31

NAVACQS SEAL SUPPLIERS GMBH

Friedrichstraße 191  
10117 Berlin  
Deutschland



030-843 121 43  
info@navacqs.de  
www.navacqs.de