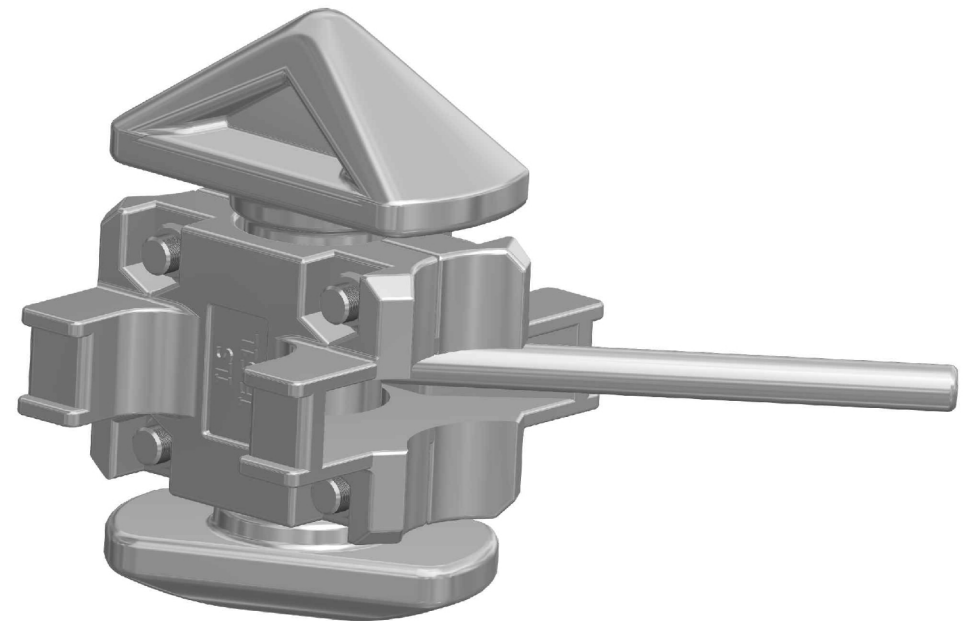


LOADS		SHEAR[kN]	TENSION[kN]
BREAKING LOAD	BL	420	500
PROOF LOAD	PL	263	313
SAFE WORKING LOAD	SWL	210	250

TOTAL WEIGHT: 4,8 kg



STANDARD INTERMEDIATE TWISTLOCK	IF-51-L
---------------------------------	---------

NAVACQS SEAL SUPPLIERS

Albert Plesmanweg 107 A
3088 GC Rotterdam
Die Niederlande



+49(0)30-843 121 43
info@navacqs.de
www.navacqs.de