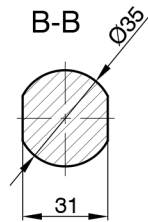
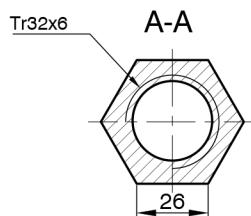
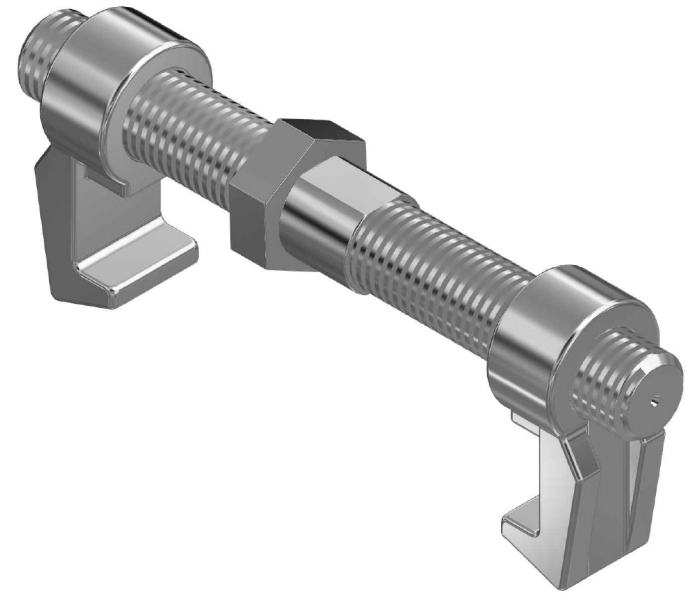
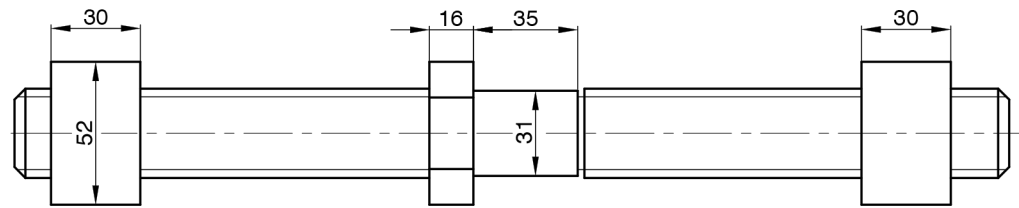


LOADS		TENSION[kN]
BREAKING LOAD	BL	100
PROOF LOAD	PL	63
SAFE WORKING LOAD	SWL	50

WEIGHT: 3,35 kg



BRIDGE FITTING SB-1(330)

**NAVACQS SEAL SUPPLIERS**

Albert Plesmanweg 107 A  
3088 GC Rotterdam  
Die Niederlande



+49(0)30-843 121 43  
info@navacqs.de  
www.navacqs.de