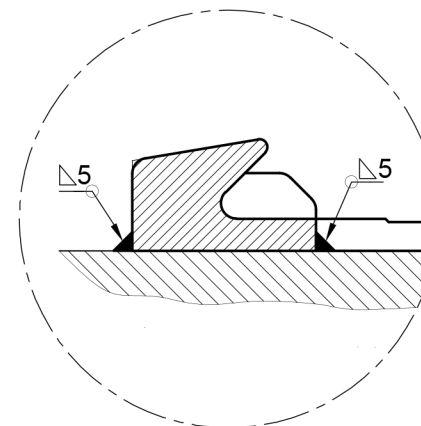


LOADS		TENSION [kN]	SHEAR [kN]
BREAKING LOAD	BL	500	420
PROOF LOAD	PL	313	263
SAFE WORKING LOAD	SWL	250	210

TOTAL WEIGHT: 3,7 kg

DET. A
TYPICAL WELDING:
WELDING TO GO COMPLETELY AROUND



DECK OR HATCH COVER

SINGLE DOVETAIL SOCKET 45°

DF-31

NAVACQS SEAL SUPPLIERS

Albert Plesmanweg 107 A
3088 GC Rotterdam
Die Niederlande



+49(0)30-843 121 43
info@navacqs.de
www.navacqs.de