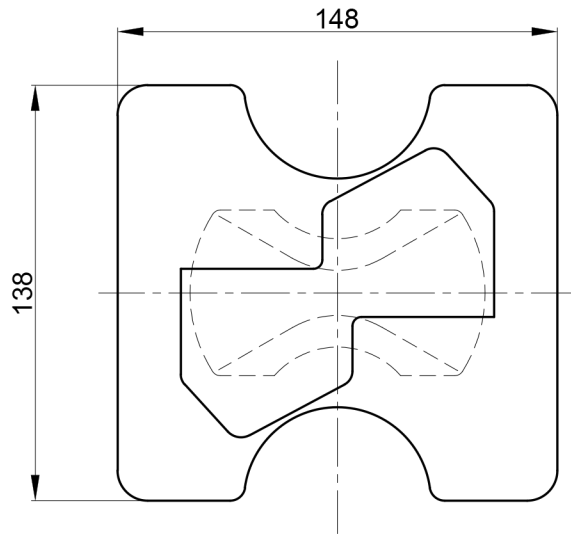
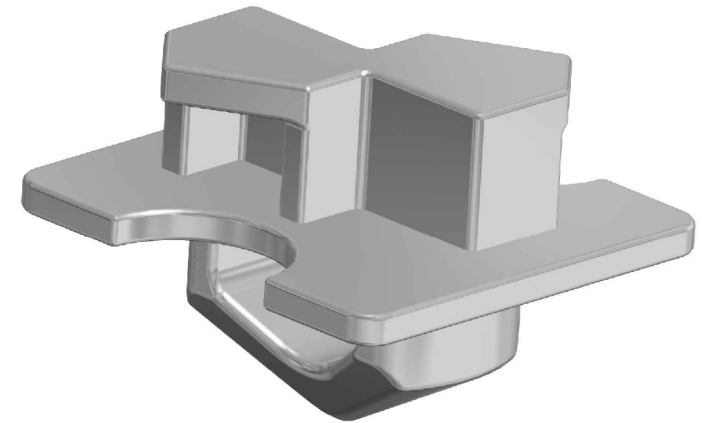
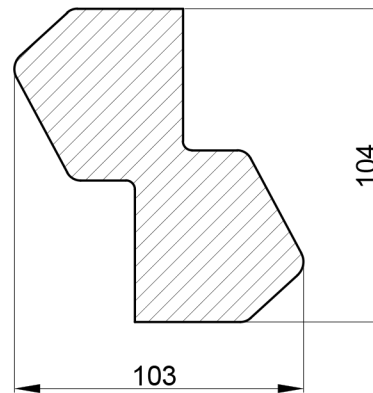


LOADS		SHEAR[kN]
BREAKING LOAD	BL	420
PROOF LOAD	PL	263
SAFE WORKING LOAD	SWL	210

TOTAL WEIGHT: 3,45 kg



A-A



DEPOT STACKER

IF-91

NAVACQS SEAL SUPPLIERS

Albert Plesmanweg 107 A
3088 GC Rotterdam
Die Niederlande



+49(0)30-843 121 43
info@navacqs.de
www.navacqs.de