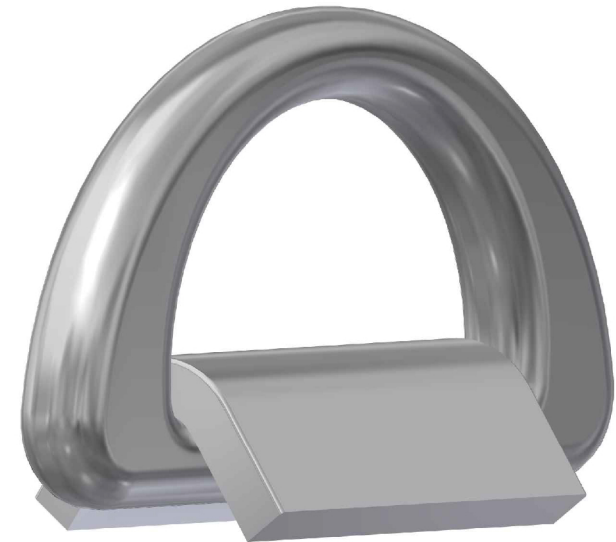
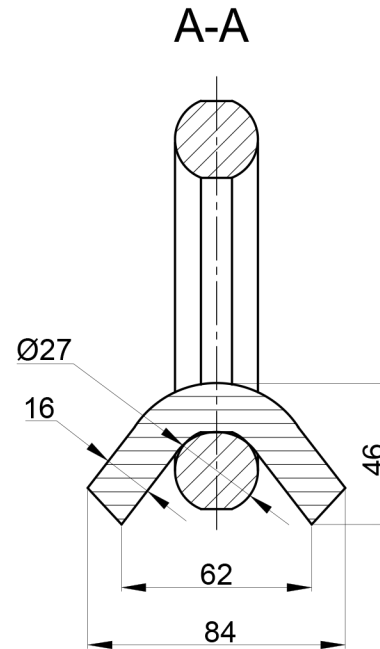
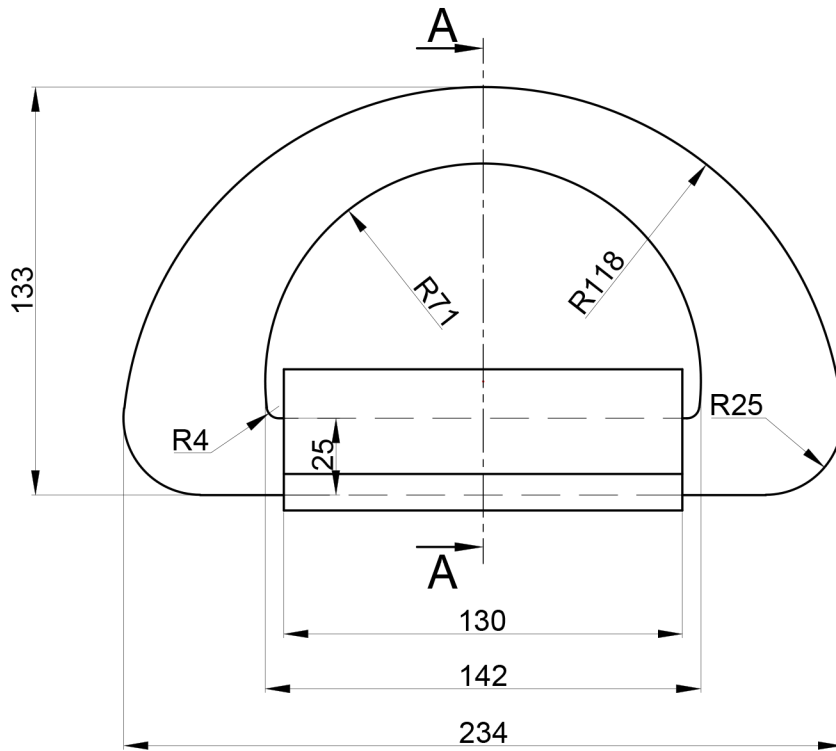


LOADS		TENSION [kN]
BREAKING LOAD	BL	500
PROOF LOAD	PL	313
SAVE WORKING LOAD	SWL	250

TOTAL WEIGHT: 4,4 kg



LASHING D-RING 50T

LP-14

NAVACQS SEAL SUPPLIERS

Albert Plesmanweg 107 A
3088 GC Rotterdam
Die Niederlande



+49(0)30-843 121 43
info@navacqs.de
www.navacqs.de