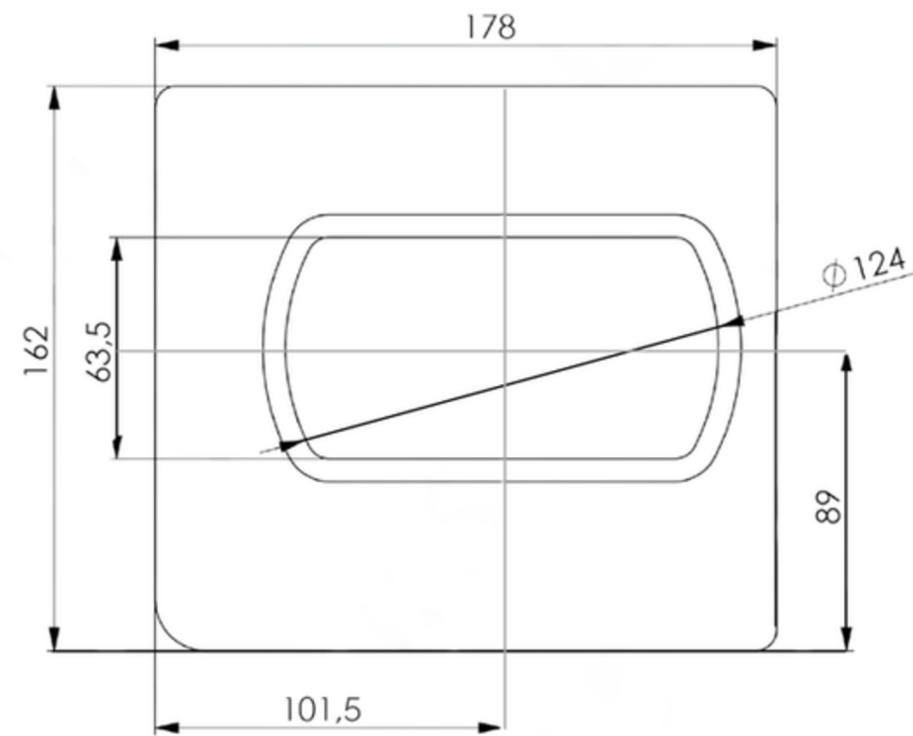
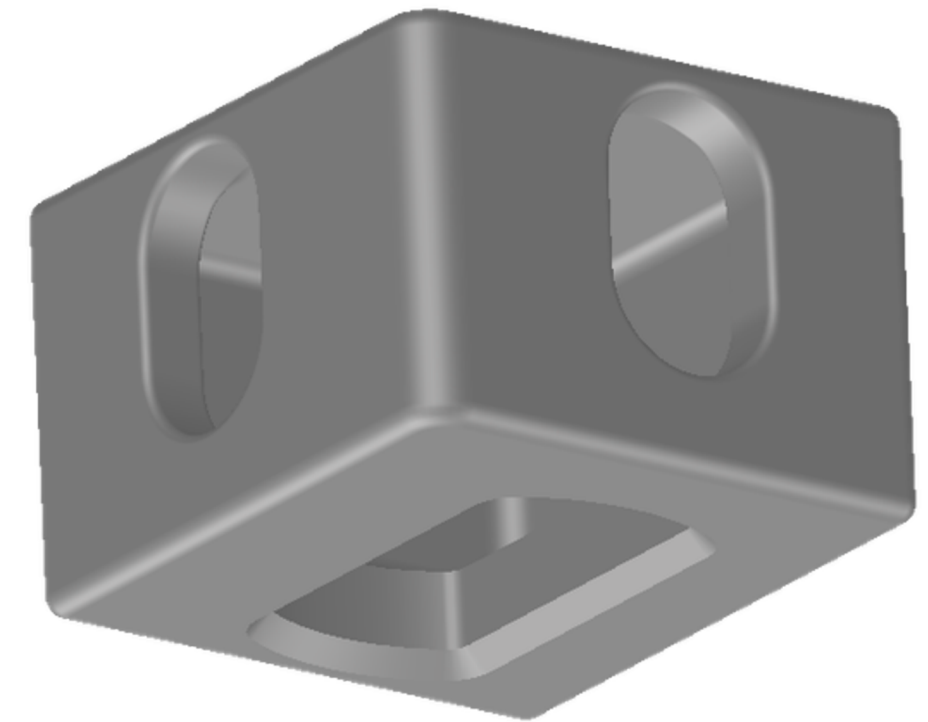


A-A



REMARKS:

1. IN ACCORDANCE WITH ISO 1161:1984
2. MARKINGS: ILS + PRODUCT CODE
BATCHNUMBER
MM: MONTH OF PRODUCTION
YY: YEAR OF PRODUCTION

Specifications:	Loads:	Shear	Tension	2					
Material: SCW480	Breaking load BL	420 kN	500 kN	1	New drawing	03/08/2023	MDH	BDL	AC
Finish: Self colored / Coat lightly with anti-rut oil	Proof load PL	263 kN	313 kN	Rev.	Description of issue	Date	Drawn by	Checked by	Approved by
Total weight: 11.3kg	Safe working load SWL	210 kN	250 kN	Product ref.: CO-BL (V)				Status: APPROVED	
				Title: BOTTOM CORNER CASTING LEFT				Scale: 1:2 Format: A3	

NAVACQS

Albert Plesmanweg 107 A
3088 GC Rotterdam
Niederlande

+49 (0)30-843 121 43
vertrieb@navacqs.com

