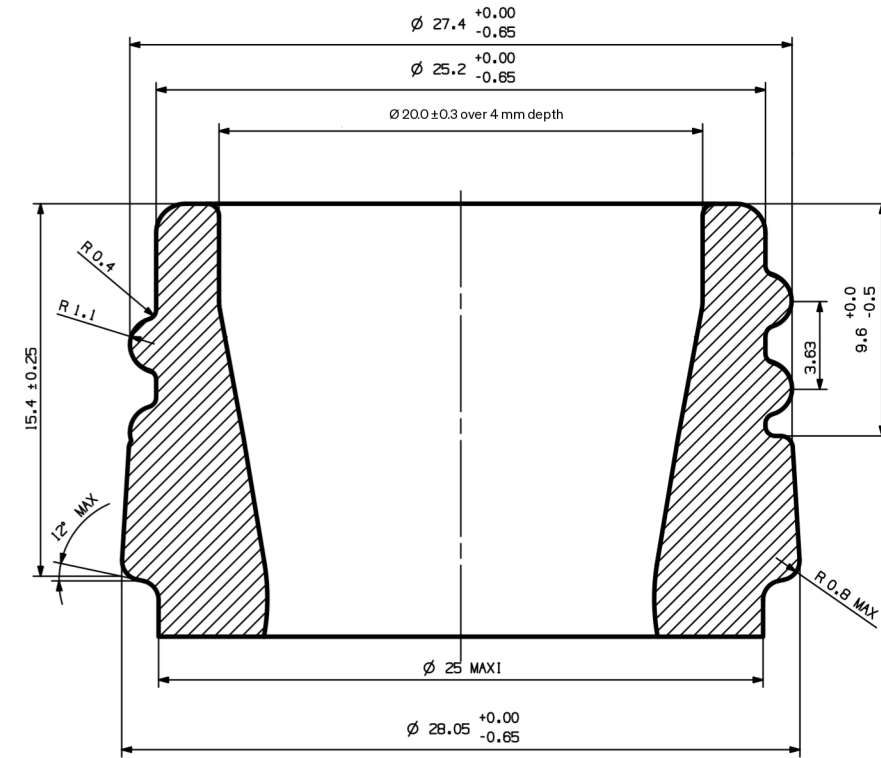
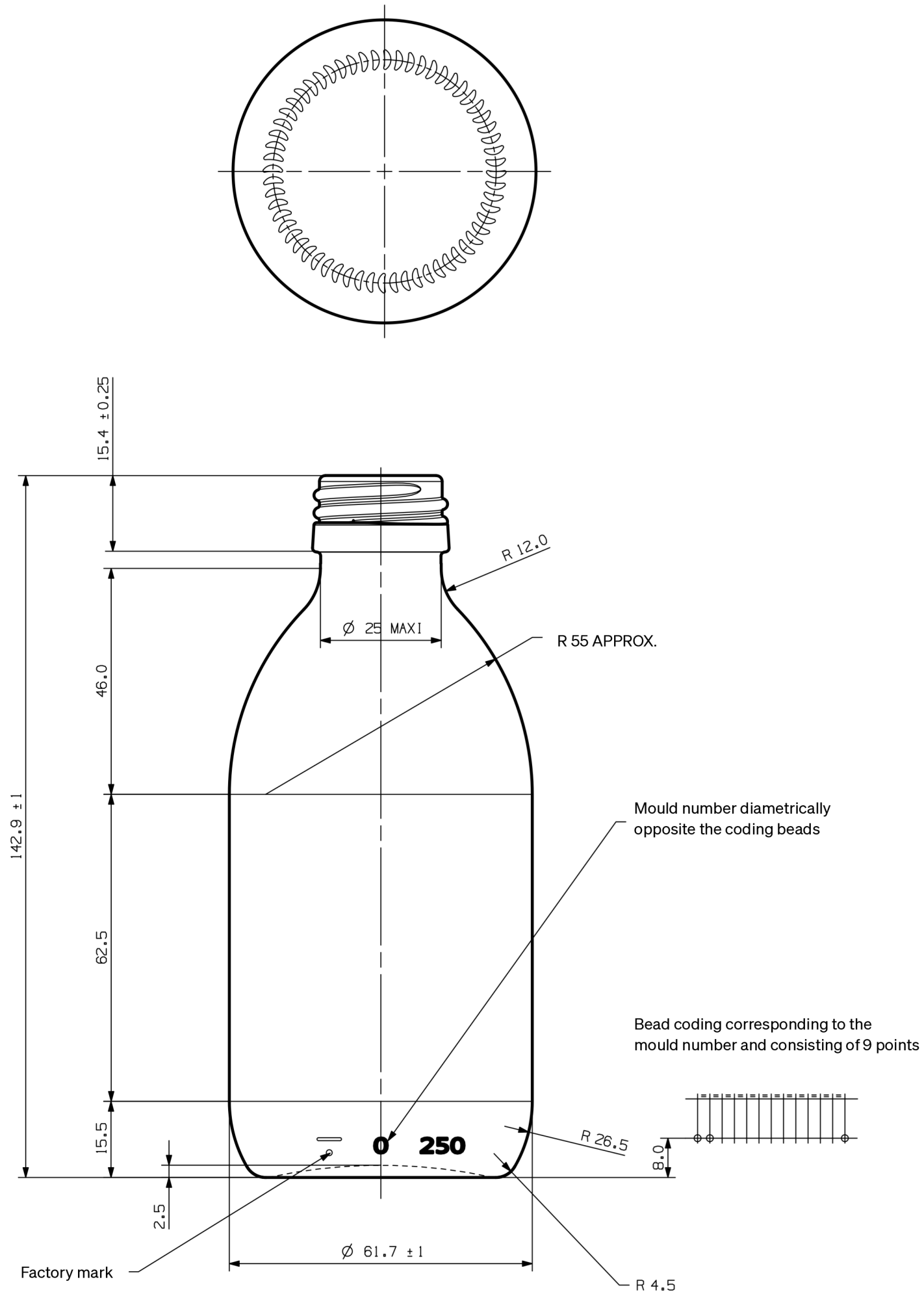


Dimensions without tolerances are given for reference only



Rev.	Date	Note	Modifications	Mould No.	Index
G	28/05/18		Removal of the engraving at the bottom	52475	01
F	13/04/18		Addition of neck ring detail	52475	01
E	12/05/15		Carries engraving annotation	52475	01
D	21/11/91		Standardized according to CETIE EV 21	52475	01
			Modifications	Mould No.	Index
Neck finish: Pilferproof 28			Weight: approx. 140 grams	Mould 52475	
Opening ϕ : ± 0.3 over 4 mm depth			Brimful capacity: 260 ml ± 4.8		
Min. inner neck diameter: 16					
		SIROP ALPHA 250 ml		Machine	
				Date 07/03/84	
				P.F. 68599	G

This drawing is our property and may not be reproduced or communicated to third parties without our consent